

Call 925-455-5267

LED Array Pedestrian Countdown Signals

16 x 18 inch - Overlay, Overlay/Countdown

Bright, clear icons
New or retrofit use



Features, Benefits and Values

- High efficiency & long life LED light source
- Failure of single LED in the icons results in loss of light from only that LED for pedestrian and hand symbols
- Automatically adjusts to the programmed intervals of the traffic controller
- Moisture and dust resistant
- Direct retrofit design
- Countdown module automatically adjusts to the programmed intervals of the traffic controller
- Countdown module features programmed software to recognize pre-emption and pedestrian recycling
- EPACT 2005 compliant

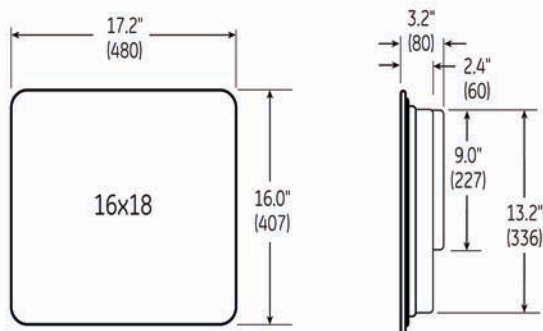


LED Array Pedestrian Countdown Signals

- 16 X 18 inch module

Call 925-455-5267

Mechanical Outline Dimensions in inches. (mm) indicates metric equivalent



Design Compliance

Test type	Compliance
Luminous intensity	ITE Pedestrian Traffic Control Signal Indication - Part 2: Light Emitting Diode (LED) Pedestrian Traffic Signal Modules Section 4.1.1 (applies to: Hand & Person only)
Chromaticity	ITE PTCSI-STD - Part 2
Moisture Resistance	NEMA STD 250 Type 4 - 1991
Mechanical Vibration	MIL-STD-883 Method 2007
Electronic Noise	FCC Title 47 Sec 15 Sub. B ¹
Transient Voltage Protection	ITE PTCSI-STD - Part 2
Controller Compatibility	NEMA TS-2-1992
Wiring	National Electric Code

¹ Class A

Operating Specifications

Parameter	Rating
Operating Temperature Range	-40 to +74°C (-40 to +165°F)
Operating Voltage Range	80 to 135 V (60Hz AC)
Power Factor (PF)	> 90 %
Total Harmonic Distortion (THD)	< 20 %
Voltage Turn-Off (VTO)	45 V
Lens & Shell Material	UV Stabilized Polycarbonate
Wiring	16 AWG, Color Coded with Strain Relief
LED Color	Hand: Portland Orange Person: Lunar White Countdown: Portland Orange

Product Information

Model Number	Operating Cycle	Configuration	Symbol			AC Voltage Nominal	Power (W)			Figure
			Hand	Person	Countdown		Hand	Person	Countdown	
PS7-CFF1-01A-18 ²	Clearance	Overlay/ Countdown	Full	Full	2 Rows/ 9" high	120V - 60Hz	9	8	5	A
PS7-CFL1-01A	Overlay	Overlay	Full	Full	-	120V - 60Hz	9	8	-	B

² Full MUTCD Compliance

Standard product shipped with spade connectors.

Test Conditions: T_o = 25°C

Options: Q - Quick Connect, MB - For GTE Winkomatic (16 7/8" x 16 1/4") Housing,

MC - For Econolite (18" x 15 5/8") Housing.

Figure A



Figure B



Distributed by:



www.jamservicesinc.com

Lumination is a subsidiary of the General Electric Company. The GE brand and logo are trademarks of the General Electric Company.

© 2007 Lumination, LLC. Information provided is subject to change without notice. All values are design or typical values when measured under laboratory conditions.

TRAF058-R012808